



Renhotecpro.com
Professional Cable & Connector Manufacturer

No.5, Xinyuan North Fifth Road
Ludong Village, Humen Town
Dongguan, Guangdong, China



0086-769-81100186



0086-13925799591

sale@renhotec.com



Renhotecpro.com is a department of Renhotec Group Ltd focus on professional connectors, cable assemblies for harsh environment, especial for Industrial or Military use. Our goals is to provide high performance connectors and cables with reliable quality and reasonable price.

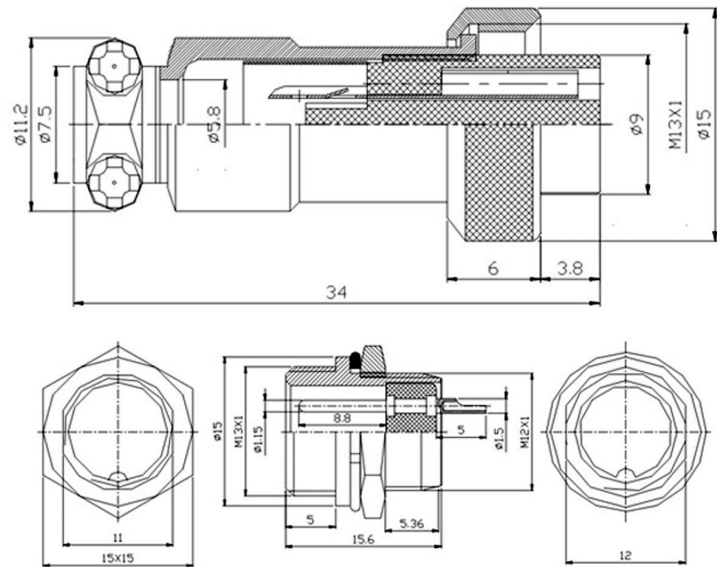


WE MAKE
CONNECTION
EASIER

GX SERIES

AVIATION CONNECTOR
PRODUCT PRESENTATION

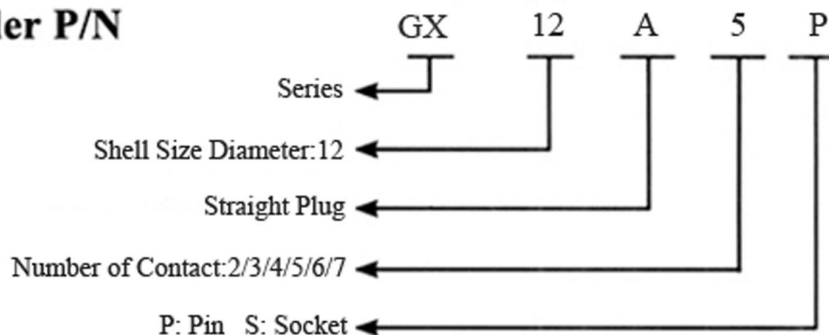
Renhotec GX12 Connector



Material and Specifications

Coupling	Threaded Coupling		Termination	Solder	
Shell Material	Zinc Alloy with Nickel plated		Mating Cycle	500 Times	
Insert Material	Bakelite		Temperature Range	-20°C ~ +85°C	
Contact Material	Copper (Silver plated/Gold)		Cable Diameter	≤ $\phi 5.0\text{mm}$	
			Protection Degree	IP55	
Core Number	2 Core	3 Core	4 Core	5 Core	6 Core
Contact Arrangement					
Contact Diameter, Number	$\phi 1.2*2$	$\phi 1.2*3$	$\phi 1.2*4$	$\phi 1.2*5$	$\phi 1.2*6$
Rated Current(A)	5	5	5	5	5
Working Voltage (AC,V,RMS)	250	250	250	250	250

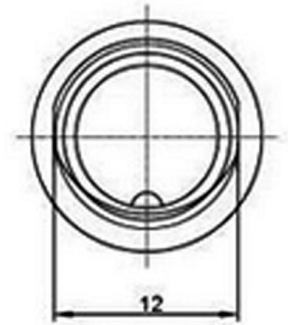
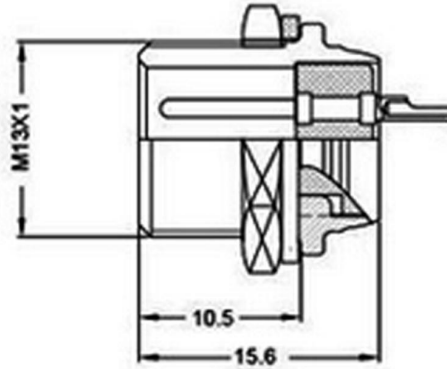
Order P/N



Note:

- A: Straight Plug
- B: Panel Mount Socket
- K: Docking Cable Plug
- D: Angled Plug
- E: 3 Hole Circular Flange
- F: Bulkhead
- H: 4 Hole Square Flange

Renhotec GX12 Bulkhead Socket

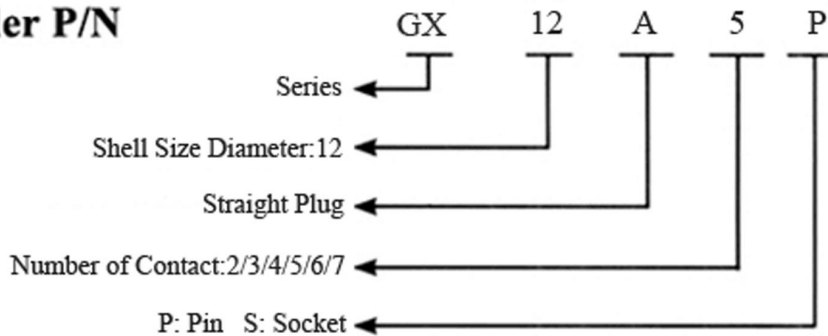


Material and Specifications

Coupling	Threaded Coupling	Termination	Solder
Shell Material	Zinc Alloy with Nickel plated	Mating Cycle	500 Times
Insert Material	Bakelite	Temperature Range	-20°C ~ +85°C
Contact Material	Copper (Silver plated/Gold)	Cable Diameter	≤ Φ5.0mm
		Protection Degree	IP55

Core Number	2 Core	3 Core	4 Core	5 Core	6 Core
Contact Arrangement					
Contact Diameter, Number	Φ 1.2*2	Φ 1.2*3	Φ 1.2*4	Φ 1.2*5	Φ 1.2*6
Rated Current(A)	5	5	5	5	5
Working Voltage (AC,V,RMS)	250	250	250	250	250

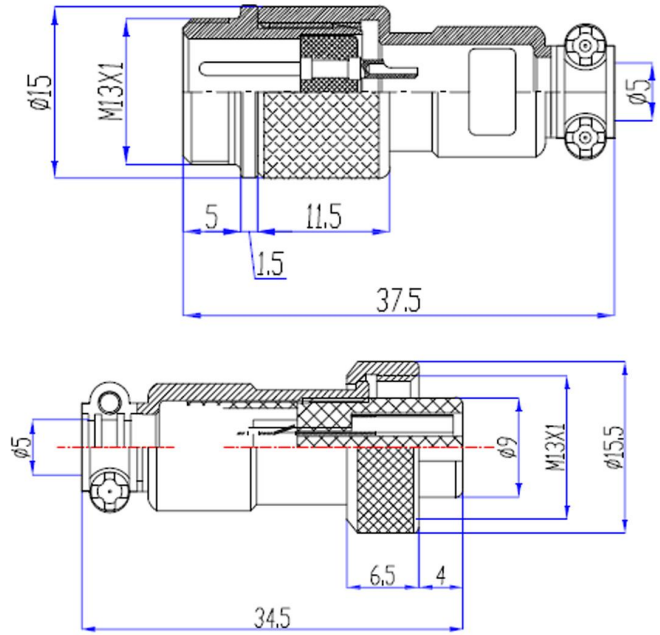
Order P/N



Note:

- A: Straight Plug
- B: Panel Mount Socket
- K: Docking Cable Plug
- D: Angled Plug
- E: 3 Hole Circular Flange
- F: Bulkhead
- H: 4 Hole Square Flange

Renhotec GX12 Docking Cable Connector

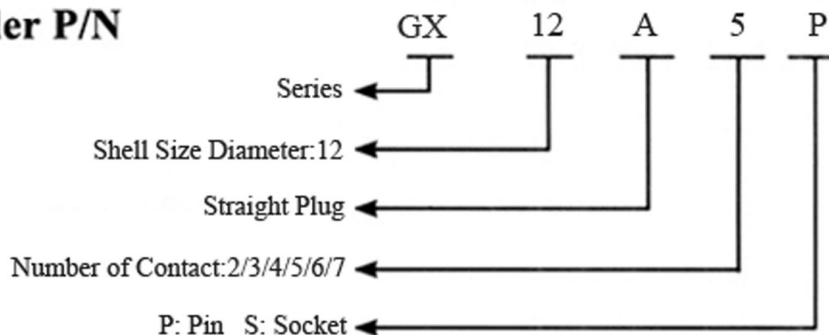


Material and Specifications

Coupling	Threaded Coupling	Termination	Solder
Shell Material	Zinc Alloy with Nickel plated	Mating Cycle	500 Times
Insert Material	Bakelite	Temperature Range	-20°C ~ +85°C
Contact Material	Copper (Silver plated/Gold)	Cable Diameter	$\leq \phi 5.0\text{mm}$
		Protection Degree	IP55

Core Number	2 Core	3 Core	4 Core	5 Core	6 Core
Contact Arrangement					
Contact Diameter, Number	$\phi 1.2*2$	$\phi 1.2*3$	$\phi 1.2*4$	$\phi 1.2*5$	$\phi 1.2*6$
Rated Current(A)	5	5	5	5	5
Working Voltage (AC,V,RMS)	250	250	250	250	250

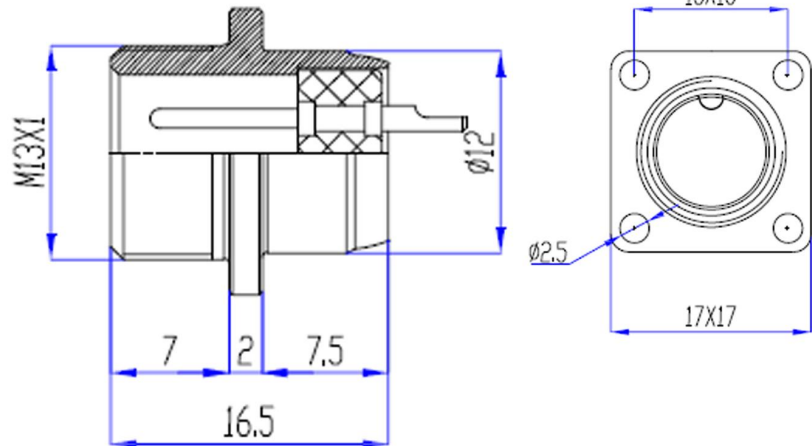
Order P/N



Note:

- A: Straight Plug
- B: Panel Mount Socket
- K: Docking Cable Plug
- D: Angled Plug
- E: 3 Hole Circular Flange
- F: Bulkhead
- H: 4 Hole Square Flange

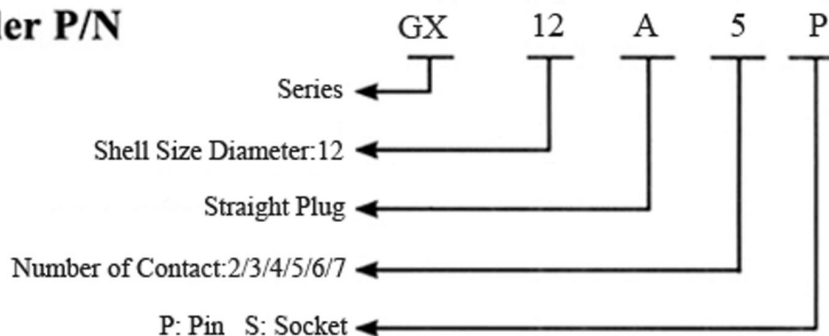
Renhotec GX12 Square Flange Connector



Material and Specifications

Coupling	Threaded Coupling		Termination	Solder	
Shell Material	Zinc Alloy with Nickel plated		Mating Cycle	500 Times	
Insert Material	Bakelite		Temperature Range	-20°C ~ +85°C	
Contact Material	Copper (Silver plated/Gold)		Cable Diameter	$\leq \phi 5.0\text{mm}$	
			Protection Degree	IP55	
Core Number	2 Core	3 Core	4 Core	5 Core	6 Core
Contact Arrangement					
Contact Diameter, Number	$\phi 1.2*2$	$\phi 1.2*3$	$\phi 1.2*4$	$\phi 1.2*5$	$\phi 1.2*6$
Rated Current(A)	5	5	5	5	5
Working Voltage (AC,V,RMS)	250	250	250	250	250

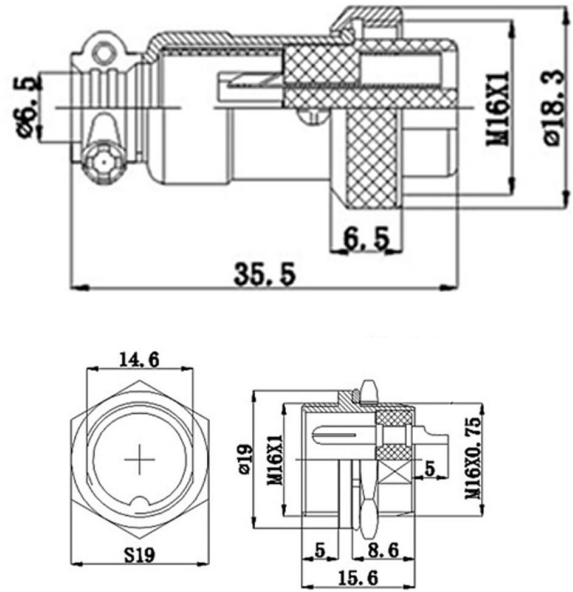
Order P/N



Note:

- A: Straight Plug
- B: Panel Mount Socket
- K: Docking Cable Plug
- D: Angled Plug
- E: 3 Hole Circular Flange
- F: Bulkhead
- H: 4 Hole Square Flange

Renhotec GX16 Connector

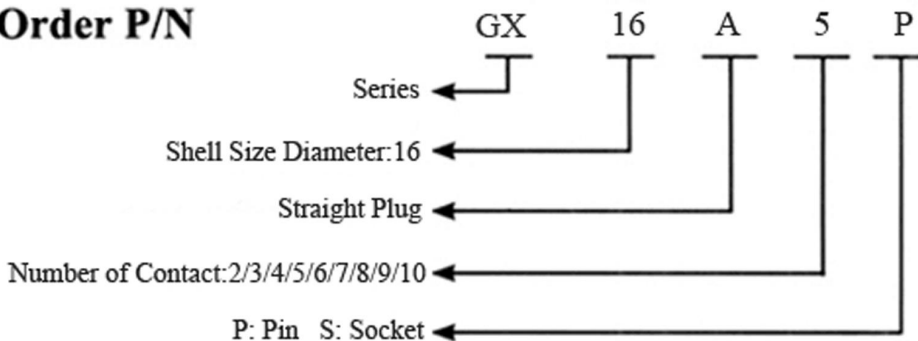


Material and Specifications

Coupling	Threaded Coupling	Termination	Solder
Shell Material	Zinc Alloy with Nickel plated	Mating Cycle	500 Times
Insert Material	Bakelite	Temperature Range	-20°C ~ +85°C
Contact Material	Copper (Silver plated/Gold)	Cable Diameter	$\Phi 7.5\text{mm} \sim \leq \Phi 8.5\text{mm}$
		Protection Degree	IP55

Core Number	2 Core	3 Core	4 Core	5 Core	6 Core	7 Core	8 Core
Contact Arrangement							
Contact The Diameter, Number	$\phi 2.5 \times 2$	$\phi 2.5 \times 3$	$\phi 2.5 \times 4$	$\phi 2.5 \times 5$	$\phi 2.5 \times 6$	$\phi 2.5 \times 7$	$\phi 2.5 \times 8$
Rated Current(A)	7	7	5	5	4	4	4
Working Voltage (AC,V,RMS)	250	250	250	250	250	250	250

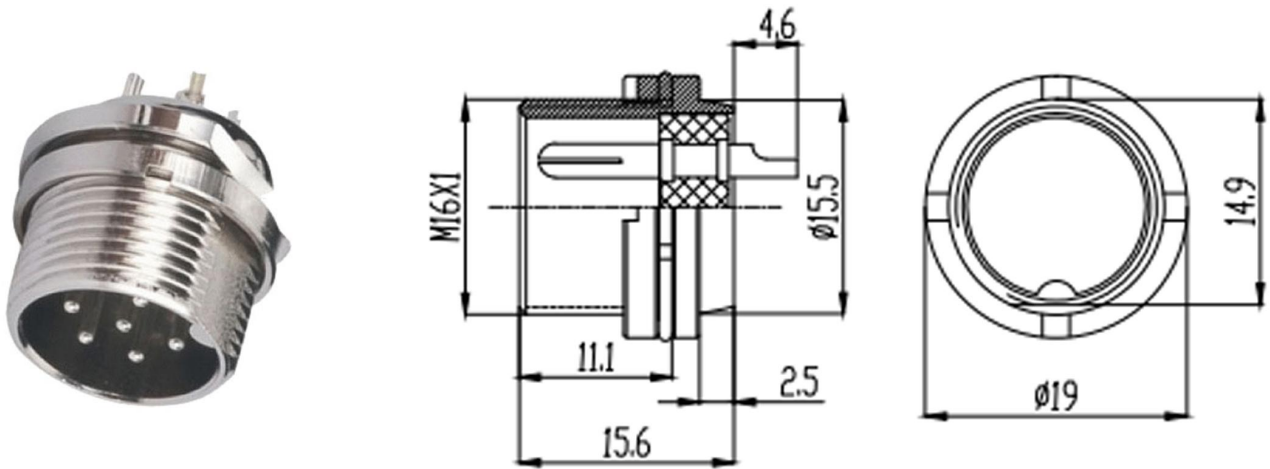
Order P/N



Note:

- A: Straight Plug
- B: Panel Mount Socket
- K: Docking Cable Plug
- D: Angled Plug
- E: 3 Hole Circular Flange
- F: Bulkhead
- H: 4 Hole Square Flange

Renhotec GX16 Bulkhead Socket Connector

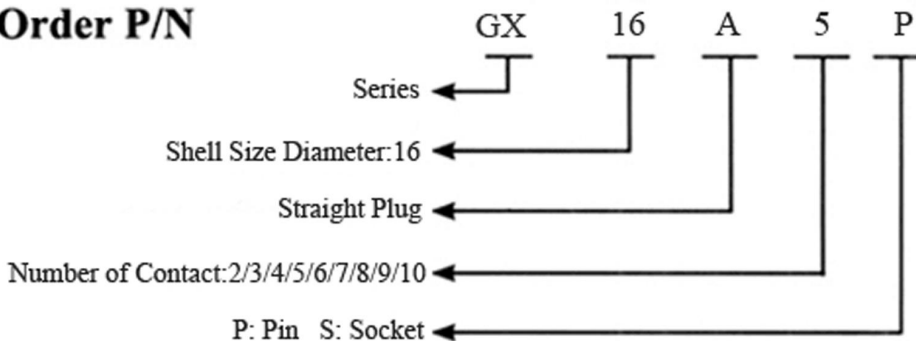


Material and Specifications

Coupling	Threaded Coupling	Termination	Solder
Shell Material	Zinc Alloy with Nickel plated	Mating Cycle	500 Times
Insert Material	Bakelite	Temperature Range	-20°C ~ +85°C
Contact Material	Copper (Silver plated/Gold)	Cable Diameter	Φ7.5mm- ≤ Φ8.5mm
		Protection Degree	IP55

Core Number	2 Core	3 Core	4 Core	5 Core	6 Core	7 Core	8 Core
Contact Arrangement							
Contact The Diameter,Number	φ 2.5*2	φ 2.5*3	φ 2.5*4	φ 2.5*5	φ 2.5*6	φ 2.5*7	φ 2.5*8
Rated Current(A)	7	7	5	5	4	4	4
Working Voltage (AC,V,RMS)	250	250	250	250	250	250	250

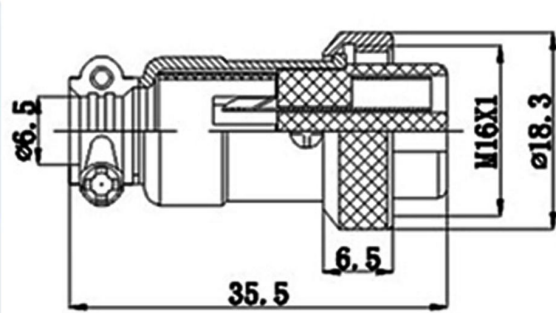
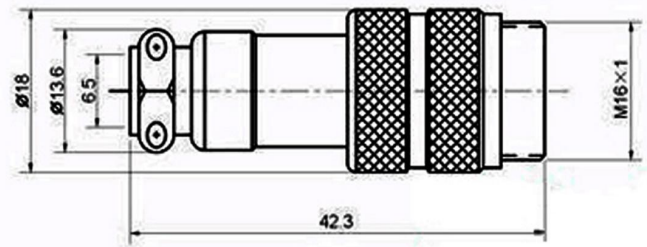
Order P/N



Note:

- A: Straight Plug
- B: Panel Mount Socket
- K: Docking Cable Plug
- D: Angled Plug
- E: 3 Hole Circular Flange
- F: Bulkhead
- H: 4 Hole Square Flange

Renhotec GX16 Docking Cable Connector

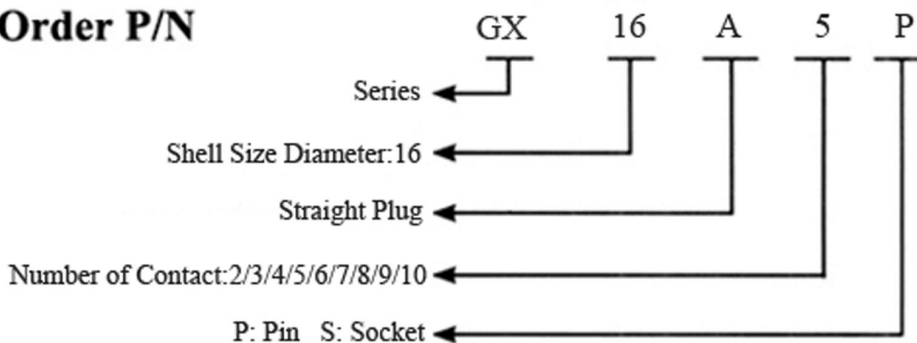


Material and Specifications

Coupling	Threaded Coupling	Termination	Solder
Shell Material	Zinc Alloy with Nickel plated	Mating Cycle	500 Times
Insert Material	Bakelite	Temperature Range	-20°C ~ +85°C
Contact Material	Copper (Silver plated/Gold)	Cable Diameter	Φ7.5mm- ≤ Φ8.5mm
		Protection Degree	IP55

Core Number	2 Core	3 Core	4 Core	5 Core	6 Core	7 Core	8 Core
Contact Arrangement							
Contact The Diameter, Number	φ 2.5*2	φ 2.5*3	φ 2.5*4	φ 2.5*5	φ 2.5*6	φ 2.5*7	φ 2.5*8
Rated Current(A)	7	7	5	5	4	4	4
Working Voltage (AC,V,RMS)	250	250	250	250	250	250	250

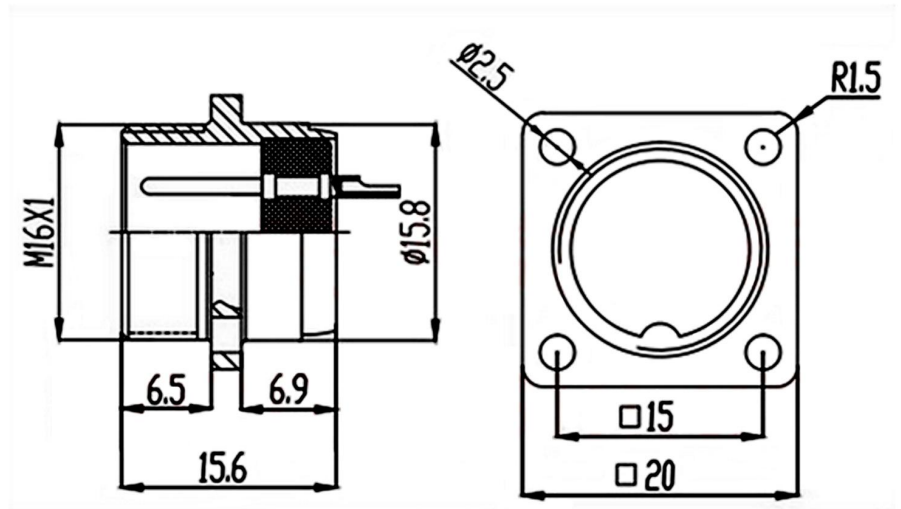
Order P/N



Note:

- A: Straight Plug
- B: Panel Mount Socket
- K: Docking Cable Plug
- D: Angled Plug
- E: 3 Hole Circular Flange
- F: Bulkhead
- H: 4 Hole Square Flange

Renhotec GX16 Square Flange Connector

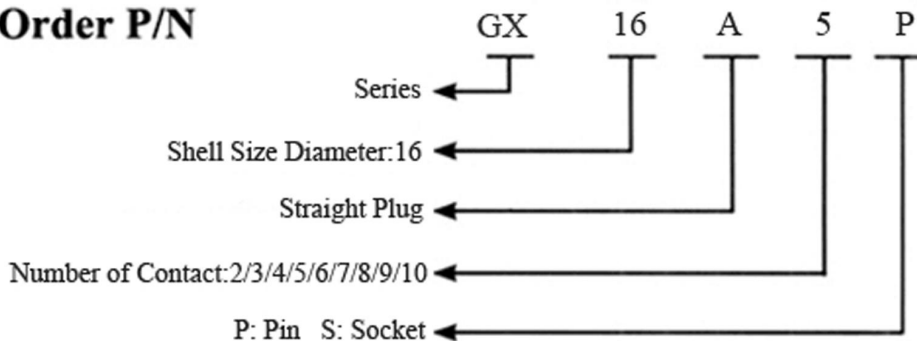


Material and Specifications

Coupling	Threaded Coupling	Termination	Solder
Shell Material	Zinc Alloy with Nickel plated	Mating Cycle	500 Times
Insert Material	Bakelite	Temperature Range	-20°C ~ +85°C
Contact Material	Copper (Silver plated/Gold)	Cable Diameter	Φ7.5mm- ≤ Φ8.5mm
		Protection Degree	IP55

Core Number	2 Core	3 Core	4 Core	5 Core	6 Core	7 Core	8 Core
Contact Arrangement							
Contact The Diameter, Number	φ 2.5*2	φ 2.5*3	φ 2.5*4	φ 2.5*5	φ 2.5*6	φ 2.5*7	φ 2.5*8
Rated Current(A)	7	7	5	5	4	4	4
Working Voltage (AC,V,RMS)	250	250	250	250	250	250	250

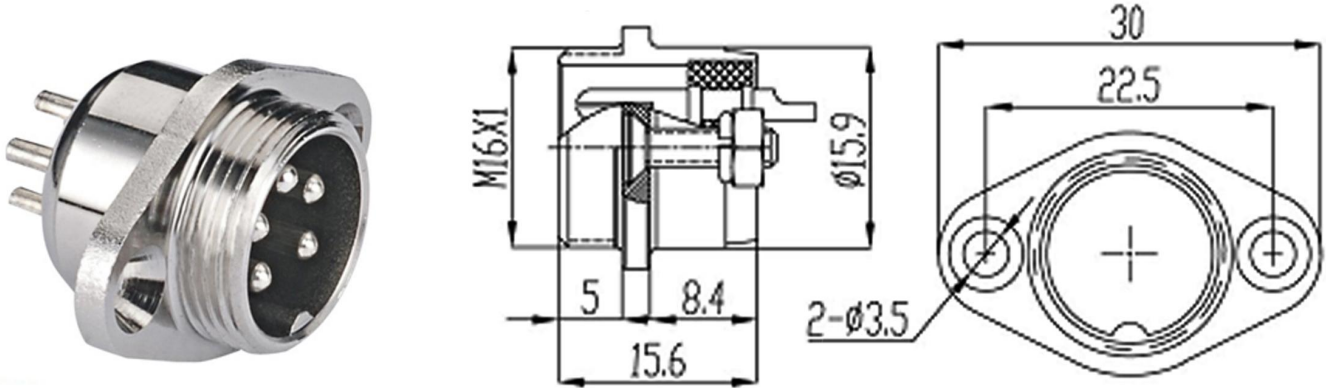
Order P/N



Note:

- A: Straight Plug
- B: Panel Mount Socket
- K: Docking Cable Plug
- D: Angled Plug
- E: 3 Hole Circular Flange
- F: Bulkhead
- H: 4 Hole Square Flange

Renhotec GX16 2 Holes Flange Connector

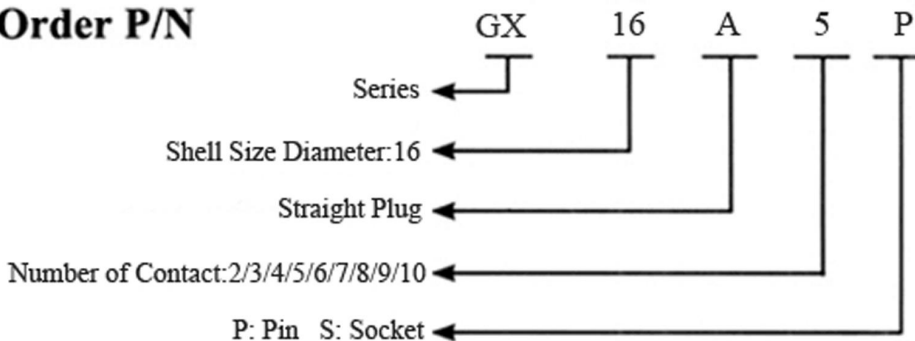


Material and Specifications

Coupling	Threaded Coupling	Termination	Solder
Shell Material	Zinc Alloy with Nickel plated	Mating Cycle	500 Times
Insert Material	Bakelite	Temperature Range	-20°C ~ +85°C
Contact Material	Copper (Silver plated/Gold)	Cable Diameter	Φ7.5mm- ≤ Φ8.5mm
		Protection Degree	IP55

Core Number	2 Core	3 Core	4 Core	5 Core	6 Core	7 Core	8 Core
Contact Arrangement							
Contact The Diameter, Number	φ2.5*2	φ2.5*3	φ2.5*4	φ2.5*5	φ2.5*6	φ2.5*7	φ2.5*8
Rated Current(A)	7	7	5	5	4	4	4
Working Voltage (AC,V,RMS)	250	250	250	250	250	250	250

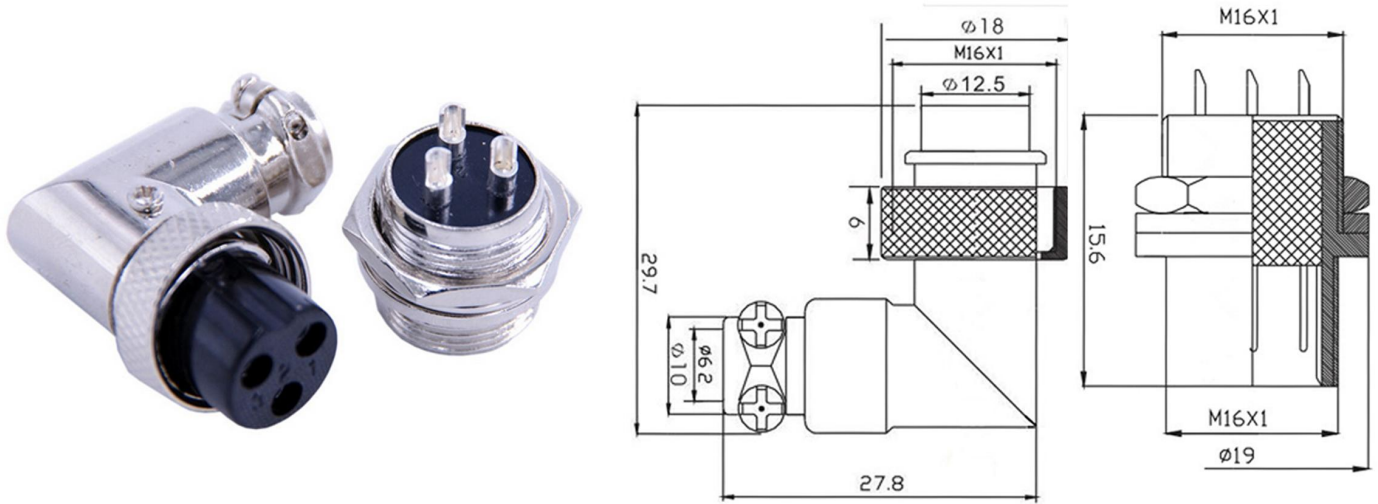
Order P/N



Note:

- A: Straight Plug
- B: Panel Mount Socket
- K: Docking Cable Plug
- D: Angled Plug
- E: 3 Hole Circular Flange
- F: Bulkhead
- H: 4 Hole Square Flange

Renhotec Angled GX16 Connector

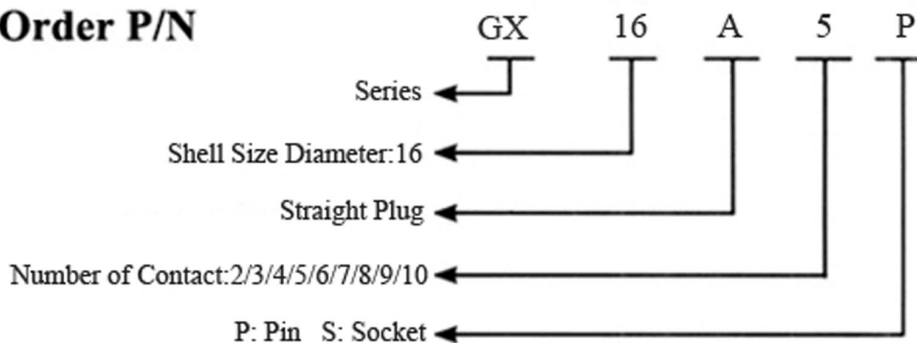


Material and Specifications

Coupling	Threaded Coupling	Termination	Solder
Shell Material	Zinc Alloy with Nickel plated	Mating Cycle	500 Times
Insert Material	Bakelite	Temperature Range	-20°C ~ +85°C
Contact Material	Copper (Silver plated/Gold)	Cable Diameter	Φ7.5mm- ≤ Φ8.5mm
		Protection Degree	IP55

Core Number	2 Core	3 Core	4 Core	5 Core	6 Core	7 Core	8 Core
Contact Arrangement							
Contact The Diameter, Number	φ 2.5*2	φ 2.5*3	φ 2.5*4	φ 2.5*5	φ 2.5*6	φ 2.5*7	φ 2.5*8
Rated Current(A)	7	7	5	5	4	4	4
Working Voltage (AC,V,RMS)	250	250	250	250	250	250	250

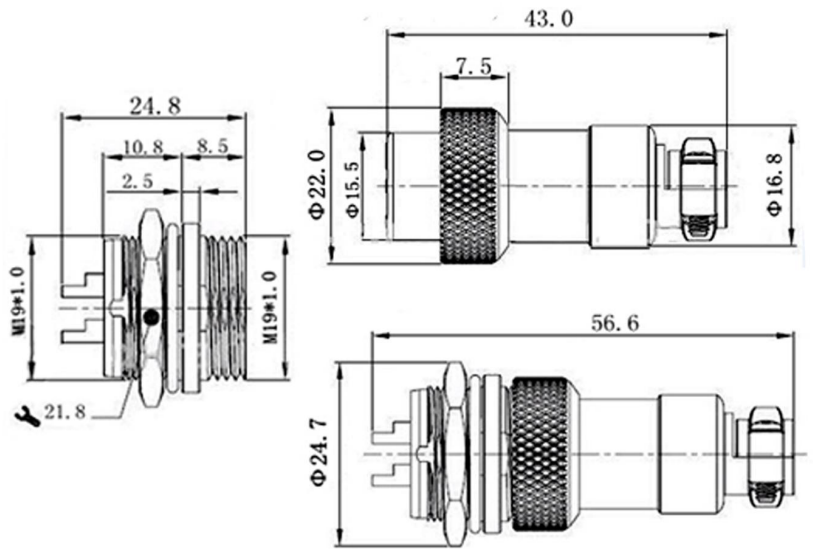
Order P/N



Note:

- A: Straight Plug
- B: Panel Mount Socket
- K: Docking Cable Plug
- D: Angled Plug
- E: 3 Hole Circular Flange
- F: Bulkhead
- H: 4 Hole Square Flange

Renhotec GX20 Connector

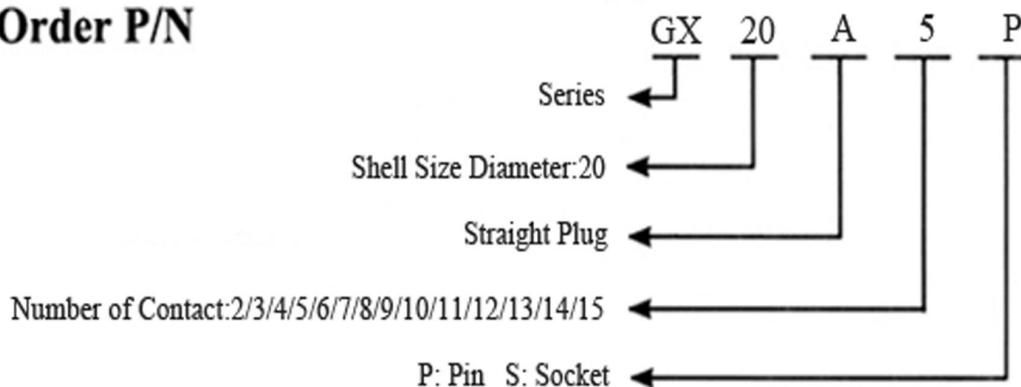


Material and Specifications

Coupling	Threaded Coupling	Termination	Solder
Shell Material	Zinc Alloy with Nickel plated	Mating Cycle	500 Times
Insert Material	Bakelite	Temperature Range	-20°C ~ +85°C
Contact Material	Copper (Silver plated/Gold)	Cable Diameter	≤ Φ9.5mm
		Protection Degree	IP55

Core Number	2 Core	3 Core	4 Core	5 Core	6 Core	7 Core	8 Core	9 Core	10 Core	12 Core
Contact Arrangement										
Contact The Diameter, Number	φ2.5*2	φ2.5*3	φ2.5*4	φ2*5	φ1.2*6	φ1.2*7	φ1.2*8	φ1.2*9	φ1.2*10	φ1.2*12
Rated Current(A)	10	10	10	7	5	5	5	5	5	5
Working Voltage (AC,V,RMS)	400	400	400	400	400	400	400	400	400	400

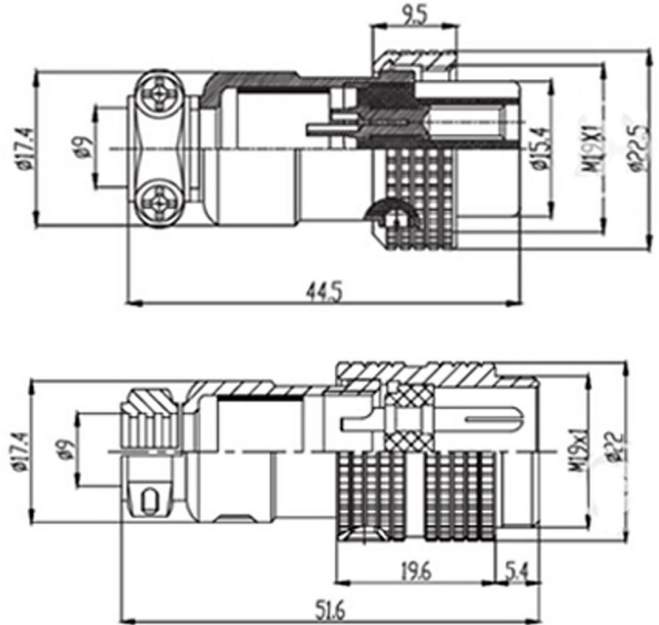
Order P/N



Note:

- A: Straight Plug
- B: Panel Mount Socket
- K: Docking Cable Plug
- D: Angled Plug
- E: 3 Hole Circular Flange
- F: Bulkhead
- H: 4 Hole Square Flange

Renhotec GX20 Docking Cable Connector

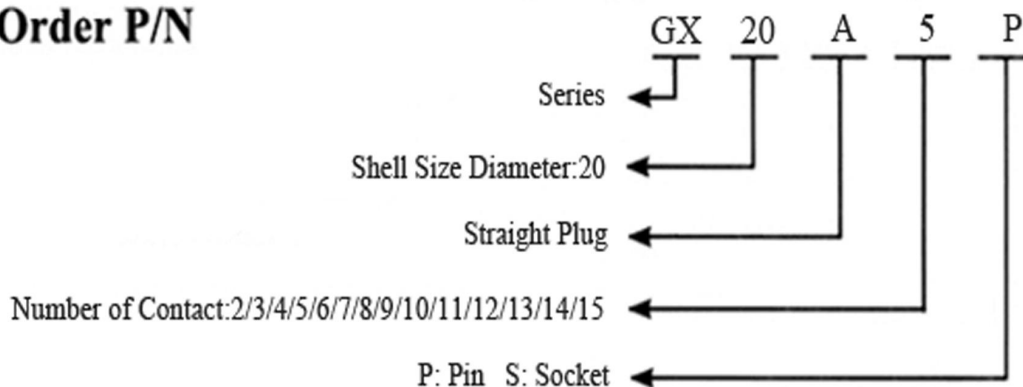


Material and Specifications

Coupling	Threaded Coupling	Termination	Solder
Shell Material	Zinc Alloy with Nickel plated	Mating Cycle	500 Times
Insert Material	Bakelite	Temperature Range	-20°C ~ +85°C
Contact Material	Copper (Silver plated/Gold)	Cable Diameter	≤ Φ9.5mm
		Protection Degree	IP55

Core Number	2 Core	3 Core	4 Core	5 Core	6 Core	7 Core	8 Core	9 Core	10 Core	12 Core
Contact Arrangement										
Contact The Diameter,Number	φ 2.5*2	φ 2.5*3	φ 2.5*4	φ 2*5	φ 1.2*6	φ 1.2*7	φ 1.2*8	φ 1.2*9	φ 1.2*10	φ 1.2*12
Rated Current(A)	10	10	10	7	5	5	5	5	5	5
Working Voltage (AC,V,RMS)	400	400	400	400	400	400	400	400	400	400

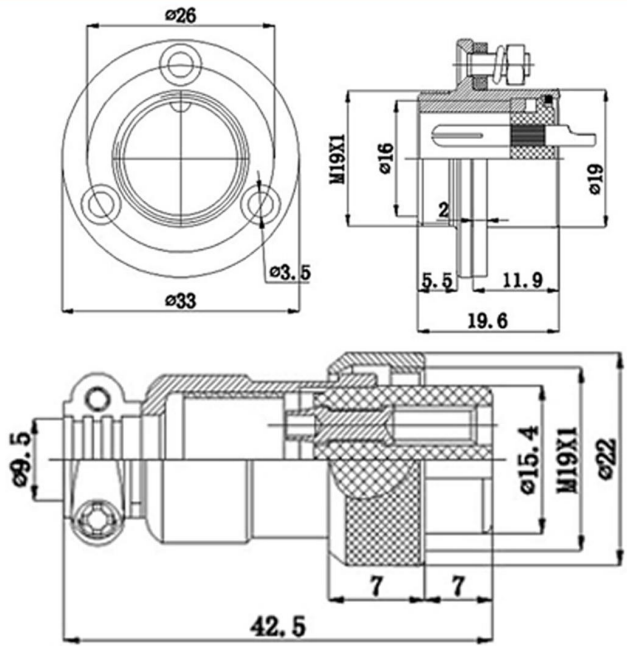
Order P/N



Note:

- A: Straight Plug
- B: Panel Mount Socket
- K: Docking Cable Plug
- D: Angled Plug
- E: 3 Hole Circular Flange
- F: Bulkhead
- H: 4 Hole Square Flange

Renhotec GX20 Circular Flange Connector

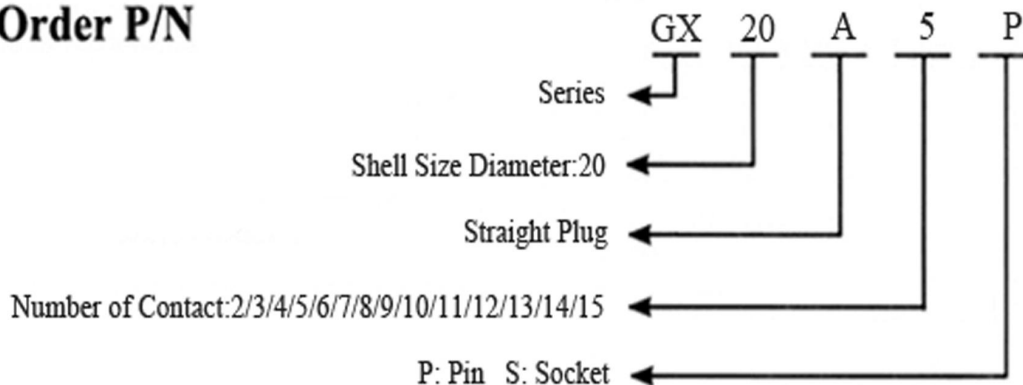


Material and Specifications

Coupling	Threaded Coupling	Termination	Solder
Shell Material	Zinc Alloy with Nickel plated	Mating Cycle	500 Times
Insert Material	Bakelite	Temperature Range	-20°C ~ +85°C
Contact Material	Copper (Silver plated/Gold)	Cable Diameter	$\leq \phi 9.5$ mm
		Protection Degree	IP55

Core Number	2 Core	3 Core	4 Core	5 Core	6 Core	7 Core	8 Core	9 Core	10 Core	12 Core
Contact Arrangement										
Contact The Diameter, Number	$\phi 2.5 \times 2$	$\phi 2.5 \times 3$	$\phi 2.5 \times 4$	$\phi 2 \times 5$	$\phi 1.2 \times 6$	$\phi 1.2 \times 7$	$\phi 1.2 \times 8$	$\phi 1.2 \times 9$	$\phi 1.2 \times 10$	$\phi 1.2 \times 12$
Rated Current(A)	10	10	10	7	5	5	5	5	5	5
Working Voltage (AC,V,RMS)	400	400	400	400	400	400	400	400	400	400

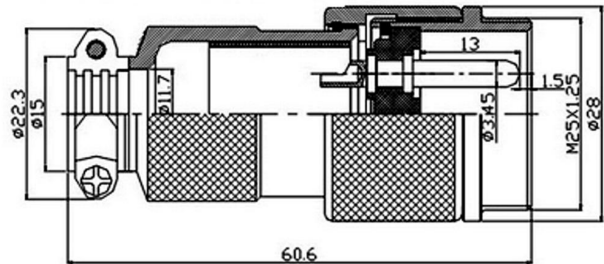
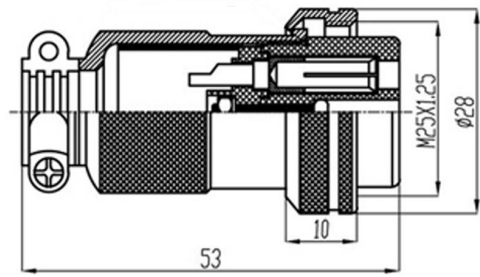
Order P/N



Note:

- A: Straight Plug
- B: Panel Mount Socket
- K: Docking Cable Plug
- D: Angled Plug
- E: 3 Hole Circular Flange
- F: Bulkhead
- H: 4 Hole Square Flange

Renhotec GX25 Docking Cable Connector

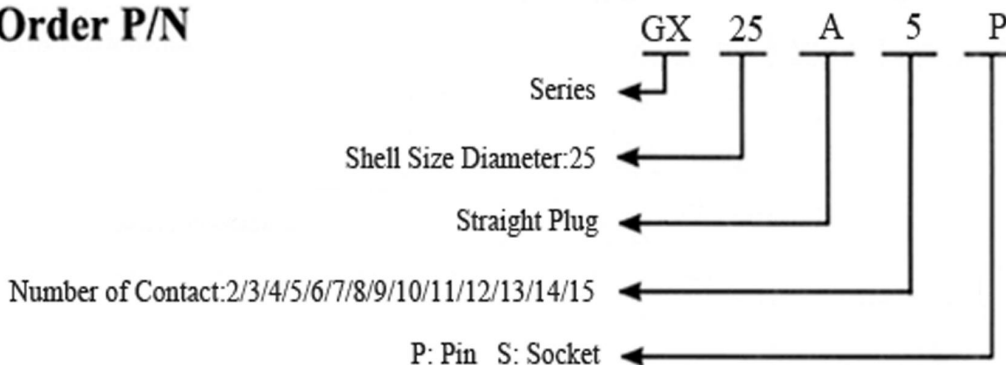


Material and Specifications

Coupling	Threaded Coupling	Termination	Solder
Shell Material	Zinc Alloy with Nickel plated	Mating Cycle	500 Times
Insert Material	Bakelite	Temperature Range	-20°C ~ +85°C
Contact Material	Copper (Silver plated/Gold)	Cable Diameter	≤ Φ11.5mm
		Protection Degree	IP55

Core Number	2 Core	3 Core	4 Core	5 Core	6 Core	7 Core	8 Core	9 Core	10 Core	11 Core	12 Core
Contact Arrangement											
Contact The Diameter, Number	φ 3.5*2	φ 3.5*3	φ 3.5*4	φ 3*5	φ 3*6	φ 3*7	φ 3*8	φ 2*9	φ 2*10	φ 1.5*11	φ 1.5*12
Rated Current(A)	25	25	25	15	15	15	10	7	7	5	5
Working Voltage (AC,V,RMS)	400	400	400	400	400	400	400	400	400	400	400

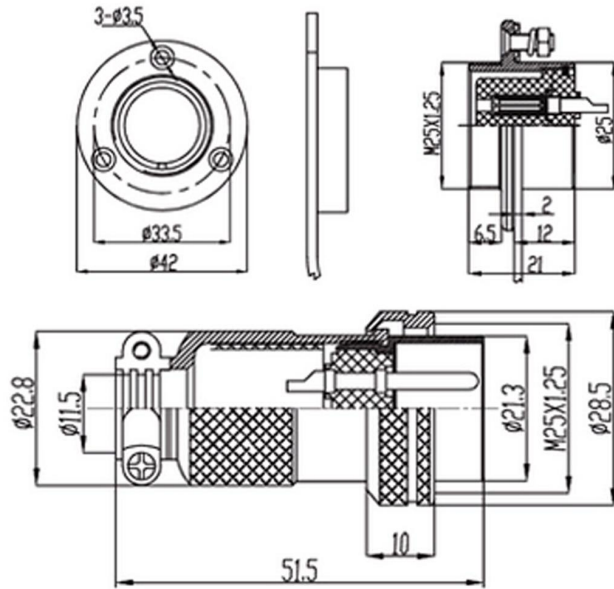
Order P/N



Note:

- A: Straight Plug
- B: Panel Mount Socket
- K: Docking Cable Plug
- D: Angled Plug
- E: 3 Hole Circular Flange
- F: Bulkhead
- H: 4 Hole Square Flange

Renhotec GX25 Reverse Connector

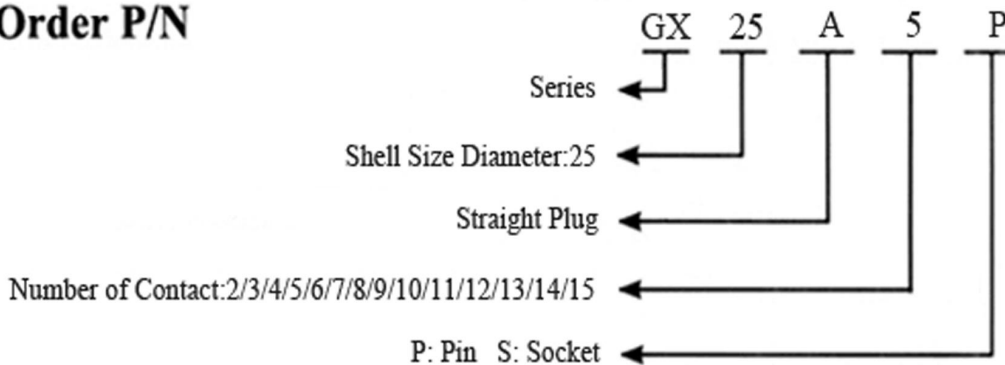


Material and Specifications

Coupling	Threaded Coupling	Termination	Solder
Shell Material	Zinc Alloy with Nickel plated	Mating Cycle	500 Times
Insert Material	Bakelite	Temperature Range	-20°C ~ +85°C
Contact Material	Copper (Silver plated/Gold)	Cable Diameter	≤ Φ11.5mm
		Protection Degree	IP55

Core Number	2 Core	3 Core	4 Core	5 Core	6 Core	7 Core	8 Core	9 Core	10 Core	11 Core	12 Core
Contact Arrangement											
Contact The Diameter,Number	φ 3.5*2	φ 3.5*3	φ 3.5*4	φ 3*5	φ 3*6	φ 3*7	φ 3*8	φ 2*9	φ 2*10	φ 1.5*11	φ 1.5*12
Rated Current(A)	25	25	25	15	15	15	10	7	7	5	5
Working Voltage (AC,V,RMS)	400	400	400	400	400	400	400	400	400	400	400

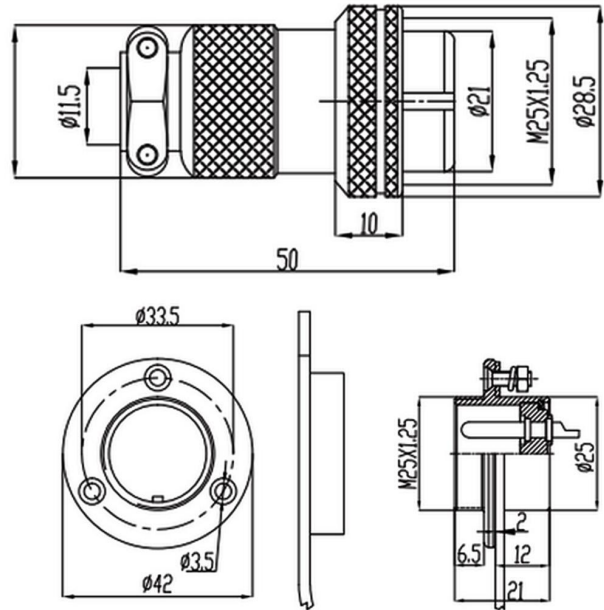
Order P/N



Note:

- A: Straight Plug
- B: Panel Mount Socket
- K: Docking Cable Plug
- D: Angled Plug
- E: 3 Hole Circular Flange
- F: Bulkhead
- H: 4 Hole Square Flange

Renhotec GX25 Circular Flange Connector

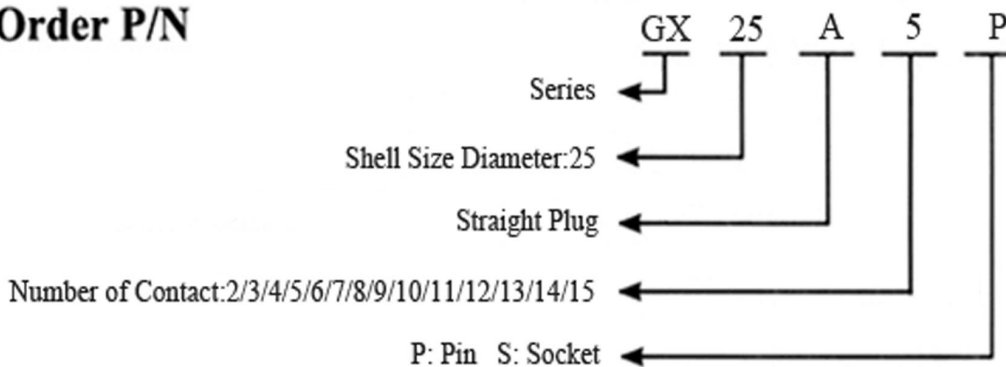


Material and Specifications

Coupling	Threaded Coupling	Termination	Solder
Shell Material	Zinc Alloy with Nickel plated	Mating Cycle	500 Times
Insert Material	Bakelite	Temperature Range	-20°C ~ +85°C
Contact Material	Copper (Silver plated/Gold)	Cable Diameter	≤ Φ11.5mm
		Protection Degree	IP55

Core Number	2 Core	3 Core	4 Core	5 Core	6 Core	7 Core	8 Core	9 Core	10 Core	11 Core	12 Core
Contact Arrangement											
Contact The Diameter, Number	φ 3.5*2	φ 3.5*3	φ 3.5*4	φ 3*5	φ 3*6	φ 3*7	φ 3*8	φ 2*9	φ 2*10	φ 1.5*11	φ 1.5*12
Rated Current(A)	25	25	25	15	15	15	10	7	7	5	5
Working Voltage (AC,V,RMS)	400	400	400	400	400	400	400	400	400	400	400

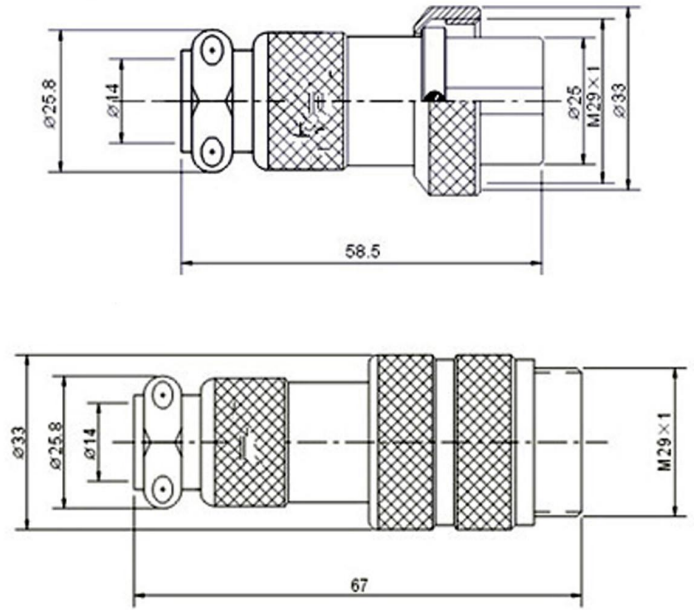
Order P/N



Note:

- A: Straight Plug
- B: Panel Mount Socket
- K: Docking Cable Plug
- D: Angled Plug
- E: 3 Hole Circular Flange
- F: Bulkhead
- H: 4 Hole Square Flange

Renhotec GX30 Docking Cable Connector

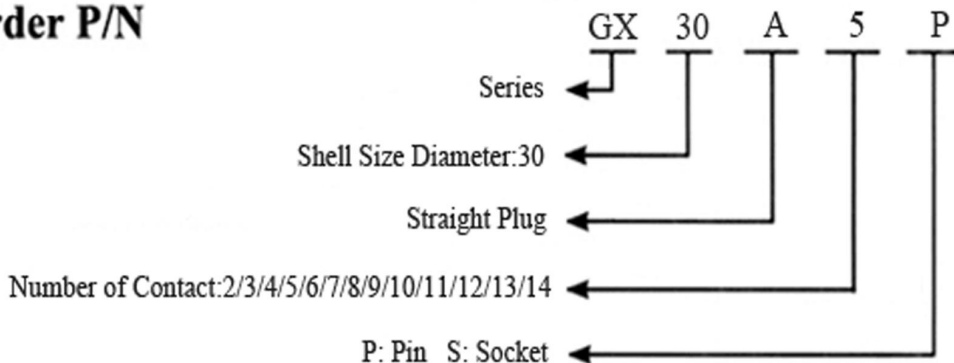


Material and Specifications

Coupling	Threaded Coupling	Termination	Solder
Shell Material	Zinc Alloy with Nickel plated	Mating Cycle	500 Times
Insert Material	Bakelite	Temperature Range	-20°C ~ +85°C
Contact Material	Copper (Silver plated/Gold)	Cable Diameter	≤ Φ13.5mm
		Protection Degree	IP55

Core Number	2 Core	3 Core	4 Core	5 Core	6 Core	7 Core	8 Core	10 Core	12 Core	14 Core
Contact Arrangement										
Contact The Diameter, Number	φ3.5*2	φ3.5*3	φ3.5*4	φ3.5*5	φ3*6	φ3*7	φ3*8	φ2.5*10	φ2.5*12	φ2.5*14
Rated Current(A)	25	25	25	25	20	20	20	15	15	15
Working Voltage (AC,V,RMS)	500	500	500	500	500	400	400	400	400	400

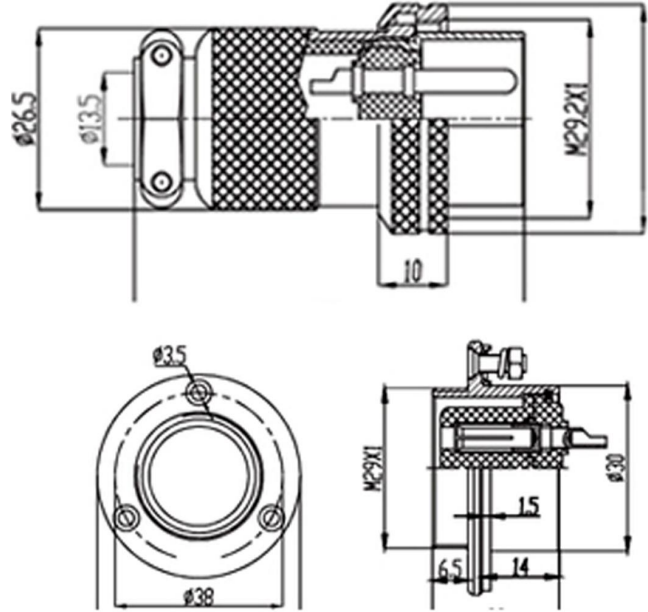
Order P/N



Note:

- A: Straight Plug
- B: Panel Mount Socket
- K: Docking Cable Plug
- D: Angled Plug
- E: 3 Hole Circular Flange
- F: Bulkhead
- H: 4 Hole Square Flange

Renhotec GX30 Reverse Connector

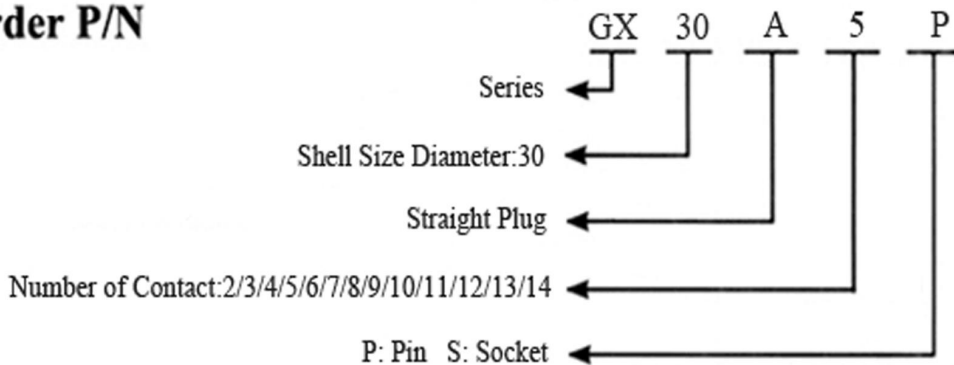


Material and Specifications

Coupling	Threaded Coupling	Termination	Solder
Shell Material	Zinc Alloy with Nickel plated	Mating Cycle	500 Times
Insert Material	Bakelite	Temperature Range	-20°C ~ +85°C
Contact Material	Copper (Silver plated/Gold)	Cable Diameter	≤ Φ13.5mm
		Protection Degree	IP55

Core Number	2 Core	3 Core	4 Core	5 Core	6 Core	7 Core	8 Core	10 Core	12 Core	14 Core
Contact Arrangement										
Contact The Diameter,Number	φ 3.5*2	φ 3.5*3	φ 3.5*4	φ 3.5*5	φ 3*6	φ 3*7	φ 3*8	φ 2.5*10	φ 2.5*12	φ 2.5*14
Rated Current(A)	25	25	25	25	20	20	20	15	15	15
Working Voltage (AC,V,RMS)	500	500	500	500	500	400	400	400	400	400

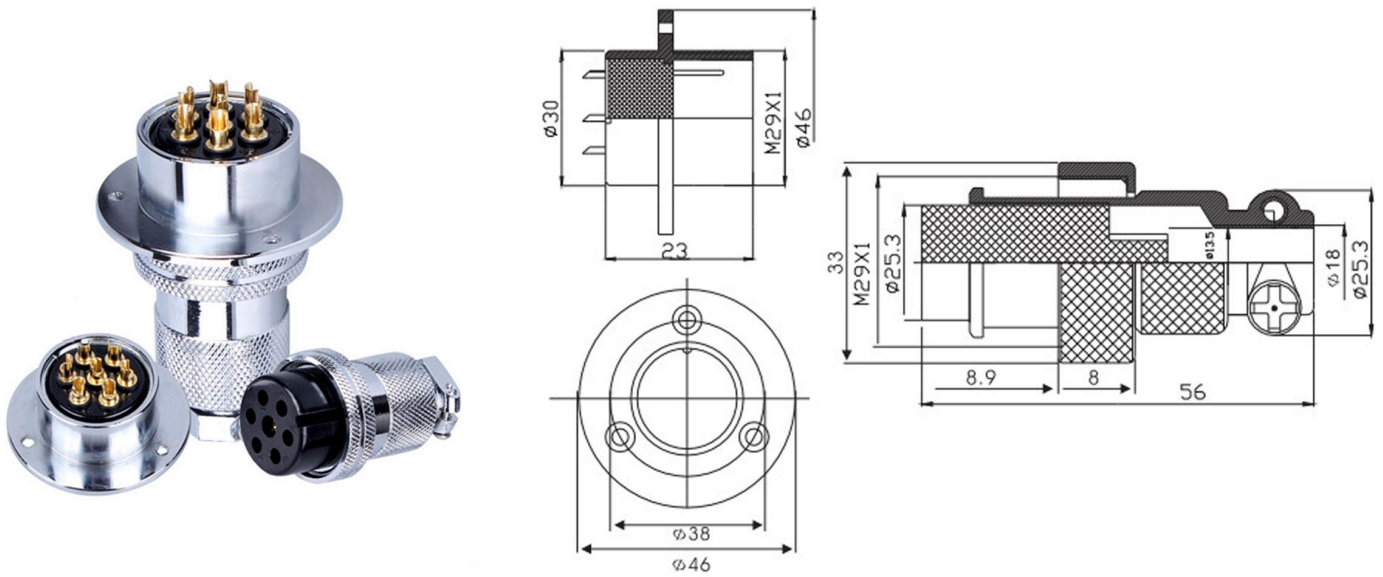
Order P/N



Note:

- A: Straight Plug
- B: Panel Mount Socket
- K: Docking Cable Plug
- D: Angled Plug
- E: 3 Hole Circular Flange
- F: Bulkhead
- H: 4 Hole Square Flange

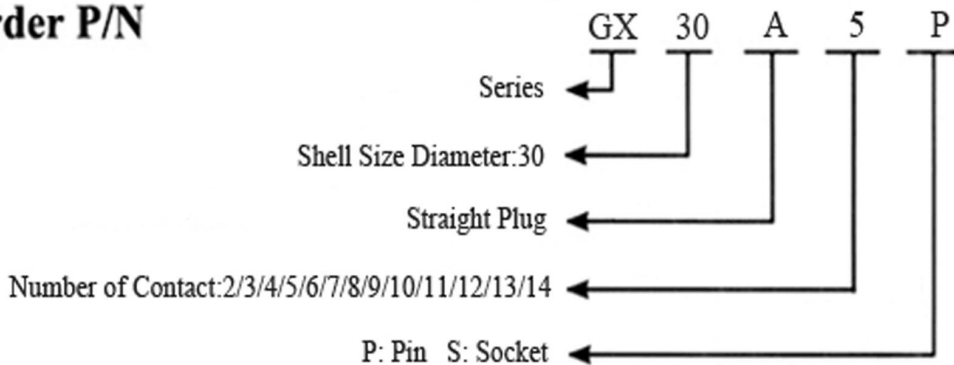
Renhotec GX30 Circular Flange Connector



Material and Specifications

Coupling	Threaded Coupling					Termination			Solder	
Shell Material	Zinc Alloy with Nickel plated					Mating Cycle			500 Times	
Insert Material	Bakelite					Temperature Range			-20°C ~ +85°C	
Contact Material	Copper (Silver plated/Gold)					Cable Diameter			≤ Φ13.5mm	
						Protection Degree			IP55	
Core Number	2 Core	3 Core	4 Core	5 Core	6 Core	7 Core	8 Core	10 Core	12 Core	14 Core
Contact Arrangement										
Contact The Diameter, Number	φ3.5*2	φ3.5*3	φ3.5*4	φ3.5*5	φ3*6	φ3*7	φ3*8	φ2.5*10	φ2.5*12	φ2.5*14
Rated Current(A)	25	25	25	25	20	20	20	15	15	15
Working Voltage (AC,V,RMS)	500	500	500	500	500	400	400	400	400	400

Order P/N



Note:

- A: Straight Plug
- B: Panel Mount Socket
- K: Docking Cable Plug
- D: Angled Plug
- E: 3 Hole Circular Flange
- F: Bulkhead
- H: 4 Hole Square Flange